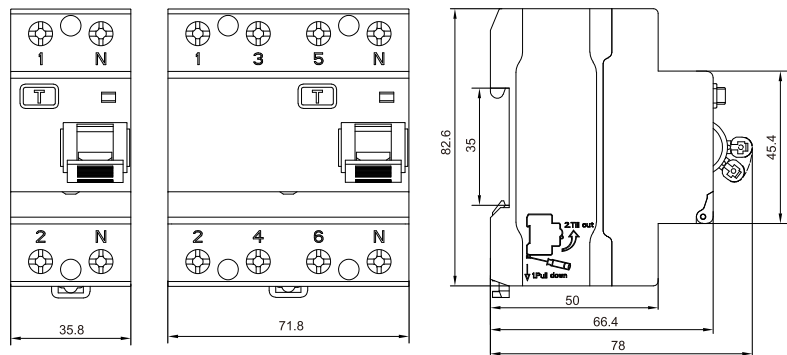




Overall and Installation Dimension(mm)



Technical Data

| Model | EKL11-63(H)T | EKL11-63(H) |
|---|---|---------------------------|
| | With Transparent Cover for Line Mark | Without Transparent Cover |
| Standard | IEC/EN61008-1 | |
| Protection | Ground fault | |
| Type of trip | Electro-magnetic | |
| Type of protection (electric leakage) | AC,A,G,S | |
| No.of poles | 2P(1P+N), 4P(3P+N) , N Pole on right | |
| Rated voltage (Ue) | 1P+N: 230/240V~, 3P+N:400/415V~ | |
| Rated currents (In) | 16,25,32,40,63A | |
| Rated sensitivity currents (IΔn) | 10,30,100,300mA (10mA only for In=16-25A) | |
| Residual current off-time under (IΔn) | ≤ 0.1s | |
| Rated residual making and breaking capacity (IΔm) | 500A(In≤50A), 10In(In>50A) | |
| Rated frequency | 50/60Hz | |
| Rated breaking capacity | 6,000A, 10,000A | |
| SCPD fuse | | |
| Rated impulse withstand voltage(1.2/50) (Uimp) | 4,000V | |
| Dielectric test voltage at Ind. Freq.for 1 min | 2kV | |
| Electrical life | 2,000 Cycles | |
| Mechanical life | 4,000 Cycles | |
| Contact position indicator | Yes | |
| Protection degree | IP20 | |
| Ambient temperature | -25°C to +40°C, Max.95% humidity | |
| Terminal connection type | Cable/Pin-type busbar/Fork-type busbar | |
| Max.terminal size for cable | 25mm ² | |
| Max.tightening torque | 2.5N.m | |
| Installation | Mounting on 35mm DIN rail | |
| Connection | From top and bottom | |